

ABBREVIATIONS

AP	HIGH PRESSURE CONNECTION
AS	PHASE LAG (DEGREES)
BP	LOW PRESSURE CONNECTION
C	STROKE (MM)
CH	ACROSS FLATS
Ch	INTERNAL ACROSS FLATS
DA	AMPLITUDE DECAY (dB)
DP	DIFFERENTIAL PRESSURE (BAR)
F	FORCE (N)
I%	INPUT CURRENT (A)
M	MANOMETER CONNECTION
NG	KNOB TURNS
OR	SEAL RING
P	LOAD PRESSURE (BAR)
PARBAK	PARBAK RING
PL	PARALLEL CONNECTION
Pr	REDUCED PRESSURE (BAR)
Q	FLOW (L/MIN)
QP	PUMP FLOW (L/MIN)
SE	ELASTIC PIN
SF	BALL
SR	SERIES CONNECTION
X	PILOTING
Y	DRAINAGE

**DC AND AC STANDARD COILS
"UL RECOGNIZED" TYPE COILS**



A09 DC Coil	CH. XII PAGE 2
20W DC COIL (OFF-HIGHWAY MACHINERY)	CH. XII PAGE 3
D15 DC Coil	CH. XII PAGE 4
PLASTIC TYPE D15 DC COIL (RS VARIANT)	CH. XII PAGE 5
40W Coil	CH. XII PAGE 5
B14 AC SOLENOID	CH. XII PAGE 6
A16 DC Coil	CH. XII PAGE 7
D19 DC SOLENOID	CH. XII PAGE 8
K16 AC SOLENOID	CH. XII PAGE 9
22W DC COIL (FOR CARTRIDGE VALVE)	CH. XII PAGE 10
30W DC COIL (FOR CARTRIDGE VALVES)	CH. XII PAGE 11
"UL RECOGNIZED" COILS	CH. XII PAGE 12



A09 DC COILS



Type of protection (in relation to connector used)	IP 65
Number of cycle	18.000/h
Supply tolerance	±10%
Ambient temperature	-30°C ÷ 60°C
Duty cycle	100% ED
Insulation class wire	H
Weight	0,215 Kg

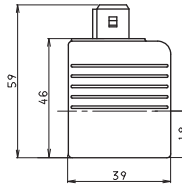
MOUNTING COMPATIBILITY	
AD.2.E	CH. I PAGE 4
ADC.3...	CH. I PAGE 5
CDL.04...	CH. I PAGE 61
C3V.03...	BFP CARTRIDGE CAT.
CDC.3...	CH. V PAGE 2

VOLTAGE (V)	MAX WINDING TEMPERATURE (AMBIENT TEMPERATURE 25°C)	RATED POWER (W)	RESISTANCE AT 20°C (OHM) ±7%
12V	123°C	27	5.3
24V	123°C	27	21.3
48V*	123°C	27	85.3
102V*(**)	123°C	27	392
110V*(**)	123°C	27	448
205V*(**)	123°C	27	1577

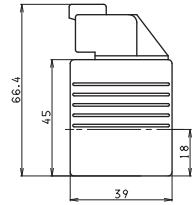
* Special voltages

** The european low voltage directive is applied to electrical equipments used at a nominal voltages between 50 and 1000 VAC or 75 and 1500 VDC. In conformity with the low directive each part of the manifold or the subplate on which the valve is mounted should be connected to a protective earth with a resistance less than 0.1 ohms.

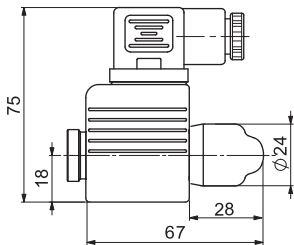
AMP JUNIOR (AJ)



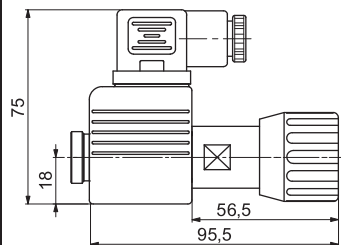
DEUTSCH COIL + BIDIR. DIODE (CX) DT04 - 2P



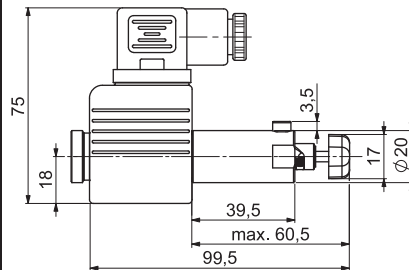
ES MANUAL EMERGENCY



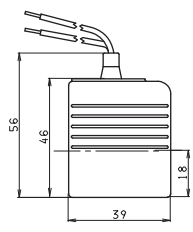
P2(*) ROTARY EMERGENCY



R5(*) ROTARY EMERGENCY 180°

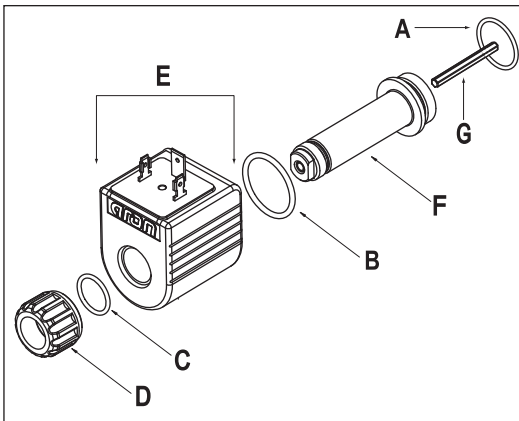


FLYING LEADS (FL) LEADS + DIODE (LD)



SPARE PARTS

(*) P2 and R5 Emergency tightening torque max. 6±9 Nm / 0.6 ÷ 0.9 Kgm with CH n. 22



E = SEE A09 COIL TABLE
A/B/C/D/F/G = SINGLE SPARE PARTS (SEE CODES TABLE)

VOLTAGE	HIRSCHMANN (STANDARD) (00)	CONNECTIONS			
		AMP JUNIOR (AJ)	FLYING LEADS + DIODE (LD) (130)	FLYING LEADS (250) (FL)	DEUTSCH + BIDIR. DIODE (CX)
12 V (L)	M14310001	M14320001	M14330001	M14070011	M14340001
24 V (M)	M14310002	M14320002	M14330002	M14070012	-
48V* (N)	M14310003				
102V* (Z)	M14310008				
110V* (P)	M14310005				
205V* (X)	M14310009				

(*)SPECIAL VOLTAGES

ETA09-CODE - 00/2007/e

COMPLETE KIT	AD2E	CDL04	ADC3	CDC3
COMPLETE SOLENOID'S TUBE	V85990008		V85990007	
P2 ROTARY EMERGENCY	V89990016		V89990017	
R5 ROTARY EMERGENCY 180°	-		V15050098	
ES MANUAL EMERGENCY	M19050003			

CODE SPARE PARTS	A	B	C	D	E	F	G	MOUNTING AVAILABLE
	O RING			RING NUT	COIL	TUBE	HEX. PUSHROD	
AD2E	Q25831023	Q25830096	Q25860013	M37050036	SEE TABLE A09	M83060003	M74490001 M74490002 M74490003	C - E - F G - H - I - L D - M
CDL04							M74490004	-
ADC3 / CDC3	Q25830024	Q25860023		M37050031		M83060004	M74460001 M74460002	C - E - F G - H
C3V03	Q25861025	Q25860024				M83060002	M74480001	-

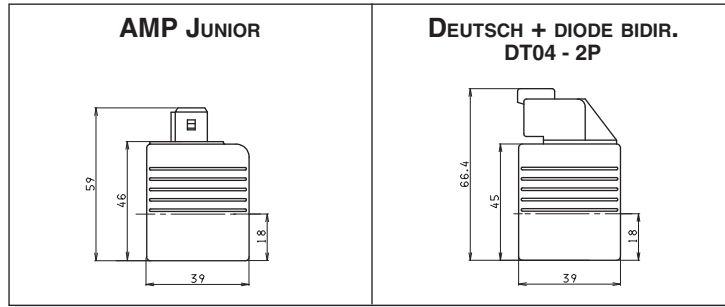


"20W" DC COILS FOR OFF-HIGHWAY MACHINERY

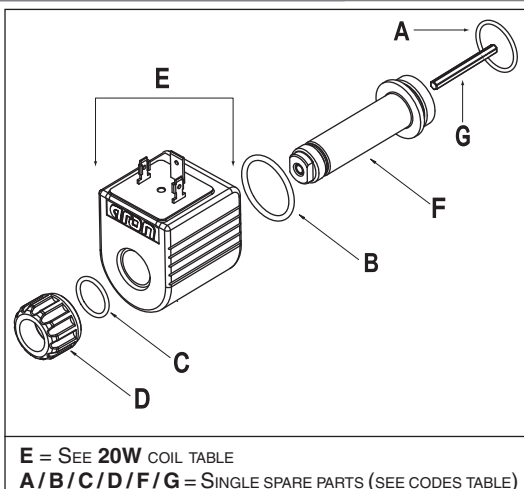
Type of protection (in relation to connector used)	IP 65
Number of cycle	18.000/h
Supply tolerance	±10%
Ambient temperature	-30°C ÷ 60°C
Duty cycle	100% ED
Insulation class wire	H
Weight	0,212 Kg

MOUNTING COMPATIBILITY	
CRD.03...	CH. V PAGE 34
C3V.05...	CH. V PAGE 42

VOLTAGE (V)	MAX. WINDING TEMPERATURE (AMBIENT TEMPERATURE 25°C)	RATED POWER (W)	RESISTANCE AT 20°C (OHM) ±10%
12V	-	20	7.2
ET20W - 01/2004/e			

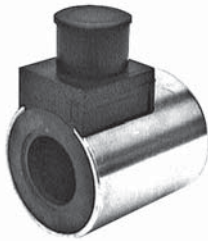


SPARE PARTS



20W DC COIL	CONNECTIONS	
	AMP JUNIOR (A)	DEUTSCH + BIDIR. DIODE (D)
VOLTAGE		
12V (L)	M14321001	M14341001
ET20W-CODE - 00/2007/e		

CODE SPARE PARTS	A	B	C	D	E	F	G
	O RING			RING NUT	COIL	TUBE	HEX. PUSHROD
CRD03 C3V05	Q25861010	Q25860023	Q25830022	M37050031 M37050036	SEE 20W	M83060007 M83060006	M74480003 M74480002



"D15" DC COILS FOR CETOP 3



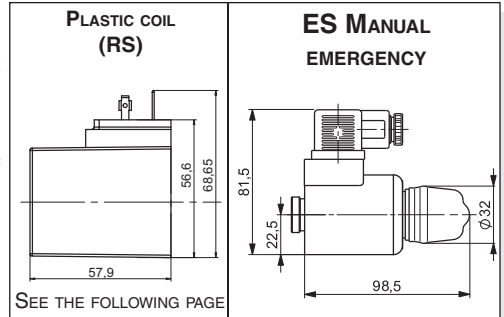
Type of protection (in relation to the connector used)	IP 66
Number of cycles	18.000/h
Supply tolerance	±10%
Ambient temperature	-54°C ÷ 60°C
Duty cycle	100% ED
Insulation class wire	H
Weight	0,354 Kg

MOUNTING COMPATIBILITY	
CETOP 3	CH. I PAGE 8
AD3.E...	CH. I PAGE 11
AD3.V...	CH. I PAGE 13
ADL.06...	CH. I PAGE 64
A.66...	CH. IV PAGE 19
CD.3...	CH. XI PAGE 5

VOLTAGE (V)	MAX WINDING TEMPERATURE (AMBIENT TEMPERATURE 25°C)	RATED POWER (W)	RESISTANCE AT 20°C (OHM) ±10%
12V	110°C	30	4.8
24V	110°C	30	18.8
28V*	110°C	30	25.6
48V*	110°C	30	75.2
102V*(**)	110°C	30	340
110V*(**)	110°C	30	387
205V*(**)	110°C	30	1375

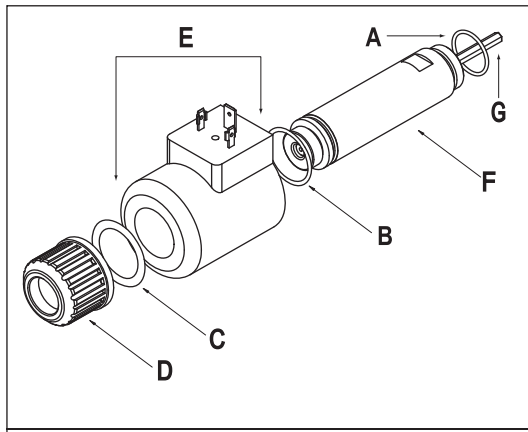
* Special voltages

** The european low voltage directive is applied to electrical equipments used at a nominal voltages between 50 and 1000 VAC or 75 and 1500 VDC. In conformity with the low directive each part of the manifold or the subplate on which the valve is mounted should be connected to a protective earth with a resistance less than 0.1 ohms.



FLYING LEADS (SL)	AMP JUNIOR (AJ) AJ + DIODE (AD)	DEUTSCH (CZ) DT04 - 2P	P2 ROTARY EMERGENCY	R5 ROTARY EMERGENCY 180°

SPARE PARTS



E = SEE D15 COIL TABLE
A/B/C/D/F/G = SINGLE SPARE PARTS (SEE CODES TABLE)

VOLTAGE	D15 DC - 30W COIL CONNECTIONS				
	HIRSCHMANN (STANDARD) (00)	AMP JUNIOR (AJ)	AMP JUNIOR + DIODE (AD)	FLYING LEADS (175) (SL)	DEUTSCH (CZ)
12V (L)	M14450002	M14460002	M14470002	M14480002	M14490002
24V (M)	M14450004	M14460004	M14470004	M14480004	-
28V* (V)	M14450005				
48V* (N)	M14450006				
102V* (Z)	M14450018				
110V* (P)	M14450008				
205V* (X)	M14450019				

(*SPECIAL VOLTAGES) ETD15-CODE - 00/2007/e

COMPLETE KIT	AD3E	CD3	ADL06	AD3V	A66
COMPLETE SOLENOID'S TUBE	V85990003				
P2 ROTARY EMERGENCY	V89990010				
R5 ROTARY EMERGENCY 180°	V15050097				
ES MANUAL EMERGENCY	M19050004				

CODE SPARE PARTS	A	B	C	D	E	F	G	MOUNTING AVAILABLE
AD3E CD3 AD3V ADL06	Q25830024	Q25860033	Q25830185	M37050030	SEE TABLE D15	M83130001	M74470001 M74470002 M74470003	C - E - F - M G - H - I - L D
A66							M74470004	-



PLASTIC COIL (RS VARIANT FOR "D15" COIL)



Type of protection (in relation to the connector)	IP 66
Number of cycles	18.000/h
Supply tolerance	±10%
Ambient temperature	-54°C ÷ 60°C
Duty cycle	100% ED
Insulation class wire	H
Weight	0,2 Kg

MOUNTING COMPATIBILITY

CETOP 3	CH. I PAGE 8
AD3.E...	CH. I PAGE 11
ADL.06...	CH. I PAGE 64

VOLTAGE (V)	MAX. WINDING TEMPERATURE (AMBIENT TEMPERATURE 25°C)	RATED POWER (W)	RESISTANCE AT 20°C (OHM) ±10%
12V	110°C	30	4.8
24V	110°C	30	18.8
28V*	110°C	30	25.6
110V(**)**	110°C	30	387

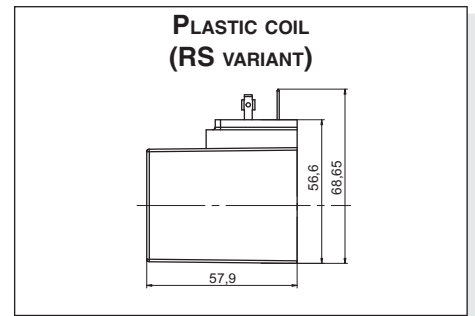
* Special voltages

** The european low voltage directive is applied to electronical equipments used at a nominal voltages between 50 and 1000 VAC or 75 and 1500 VDC. In conformity with the low directive each part of the manifold or the subplate on which the valve is mounted should be connected to a protective earth with a resistance less than 0.1 ohms.

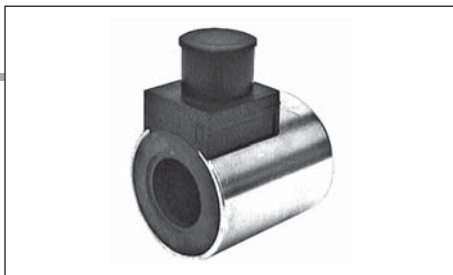
SPARE PARTS

D15 PLASTIC COIL (DC / 30W)	
VOLTAGE	HIRSCHMANN (STANDARD)
12V (L)	M14630002
24V (M)	M14630004
28V* (V)	M14630005
110V* (P)	M14630008
(*)SPECIAL VOLTAGES ETD15BR-CODE - 00/2007/e	

CODE SPARE PARTS B / C / D / E / F / G		FOR RS VARIANT
B	O RING (TUBE)	Q25830024
C	RING NUT	M37050030
D	O RING (RING NUT)	Q25830185
E	O RING (COIL)	Q25830028
F	TUBE	M83130001
G	HEX. PUSHROD (MOUNTING C-E-F) (MOUNTING G-H-I) (MOUNTING D)	M74470001 M74470002 M74470003



- SEE BELOW FOR EXPLODED VIEW DRAWING
- SEE "D15" COIL STANDARD FOR BOTH EMERGENCY MANUAL ES AND ROTARY P2.



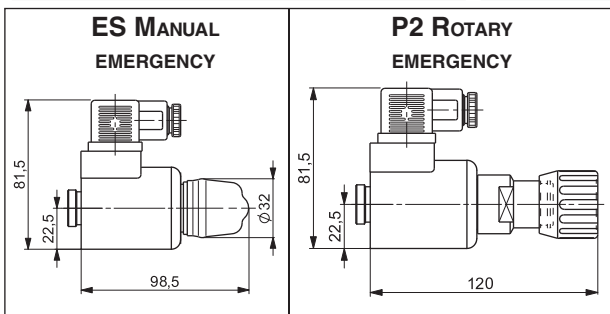
"40W" DC COIL (FOR CDL.06...)



Type of protection (in relation to the connector)	IP 66
Number of cycles	18.000/h
Supply tolerance	±10%
Ambient temperature	-54°C ÷ 60°C
Duty cycle	100% ED
Insulation class wire	H
Weight	0,354 Kg

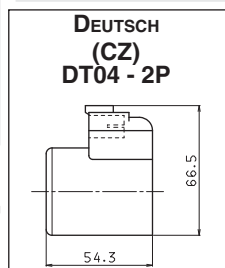
MOUNTING COMPATIBILITY

CDL.06...	CH. I PAGE 63
------------------	---------------



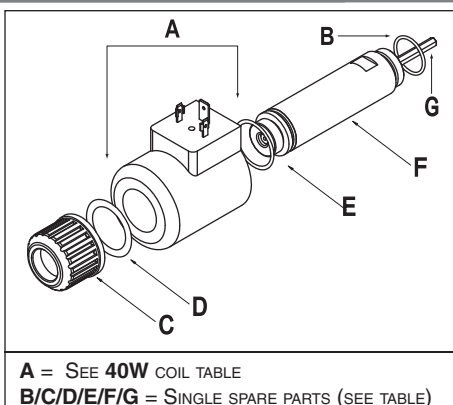
VOLTAGE (V)	MAX. WINDING TEMPERATURE (AMBIENT TEMPERATURE 25°C)	RATED POWER (W)	RESISTANCE AT 20°C (OHM) ±10%
12V	135°C	40	3.6
24V	135°C	40	14.4

ET40W - 00/2004/e



COMPLETE KIT	CDL06
P2 ROTARY EMERGENCY	V89990010
ES MANUAL EMERGENCY	M19050004

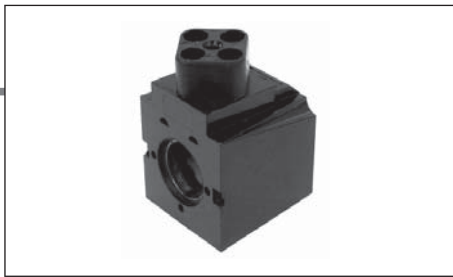
SPARE PARTS



40W DC COIL	CONNECTIONS
VOLTAGE	HIRSCHMANN (STANDARD)
12V (L)	M14600001
24V (M)	M14600002
	DEUTSCH (CZ)
12V (L)	M14610001
24V (M)	M14610002

CODE SPARE PARTS B / C / D / E / F / G		FOR CDL06
B	O RING (TUBE)	Q25830024
C	RING NUT	M37050030
D	O RING (RING NUT)	Q25830185
E	O RING (COIL)	Q25860033
F	TUBE	M83130001
G	HEX. PUSHROD	M74470003

ET40W-CODE - 00/2007/e

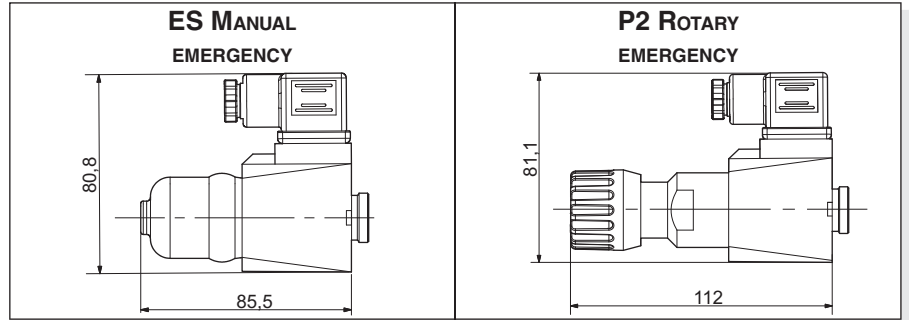


"B14" AC SOLENOIDS FOR CETOP 3

Type of protection (in relation to the connector used)	IP 65
Number of cycles	18.000/h
Supply tolerance	+10% / -10%
Ambient temperature	-30°C ÷ 60°C
Duty cycle	100% ED
Insulation class wire	H
Weight	0,436 Kg

MOUNTING COMPATIBILITY	
CETOP 3 *	CH. I PAGE 8
AD3.E... *	CH. I PAGE 11

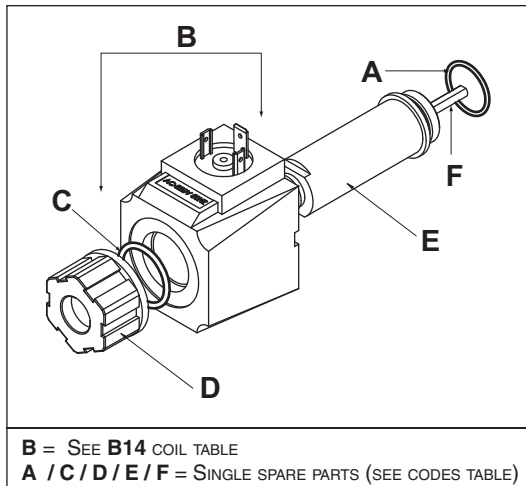
(*) serial No. 3 (AC voltage)



VOLTAGE (V)	MAX. WINDING TEMPERATURE (AMBIENT TEMPERATURE 25°C)	RESISTANCE AT 20°C (OHM) ±10%	RATED POWER (VA)	PICKUP CURRENT (A)
24V/50Hz - 24V/60Hz	100°C - 96°C	1.7	54 - 40	5.6 - 5
48V/50Hz - 48V/60Hz	112°C - 98°C	6.8	45 - 34	5.3 - 5
115V/50Hz - 120V/60Hz *	133°C - 101°C	32.5	61 - 51	3.2 - 3.2
230V/50Hz - 240V/60Hz *	120°C - 103°C	134	62 - 52	1.6 - 1.6

* The european low voltage directive is applied to electronical equipments used at a nominal voltages between 50 and 1000 VAC or 75 and 1500 VDC. In conformity with the low directive each part of the manifold or the subplate on which the valve is mounted should be connected to a protective earth with a resistance less than 0.1 ohms.

SPARE PARTS



B14 AC COIL	CONNECTION
VOLTAGE	HIRSCHMANN (STANDARD)
24V/50-60Hz (A)	M14640003
48V/50-60Hz (B)	M14640007
115V/50Hz (J)	M14640006
120V/60Hz	
230V/50Hz (Y)	M14640001
240V/60Hz	
COMPLETE KIT	CODE
TUBE KIT	V85990011
ROTARY EMERGENCY P2	V89990021
MANUAL EMERGENCY ES	M19050001

12

CODE SPARE PARTS	A	B	C	D	E	F	MOUNTING AVAILABLE
	O RING	COIL	O RING	RING NUT	TUBE	HEX. PUSHROD	
AD3E*	Q25830024	SEE B14	Q25860036	M37050041	M831100001	M74520001 M74520002 M74520003	C - E - F - M G - H - I - L D

(*) serial No. 3 (AC voltage)



"A16" DC COILS FOR CETOP 5

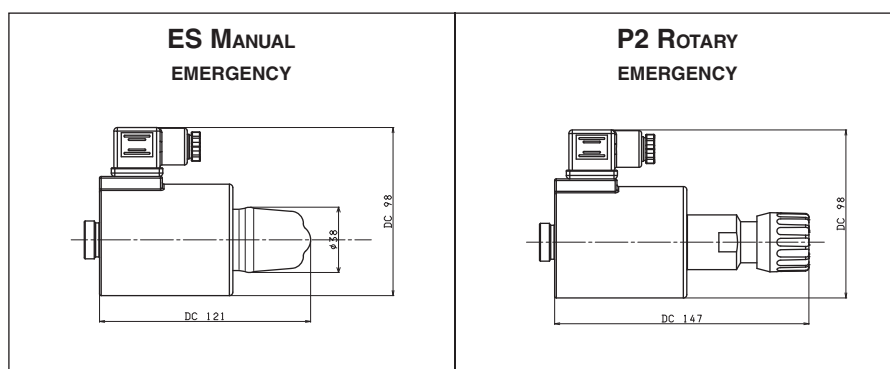
Type of protection (in relation to the connector used)	IP 65
Number of cycles	18.000/h
Supply tolerance	±10%
Ambient temperature	-30°C ÷ 60°C
Duty cycle	100% ED
Insulation class wire	H
Weight	0,9 Kg

MOUNTING COMPATIBILITY	
CETOP 5	CH. I PAGE 28
AD5.E...	CH. I PAGE 31
CDL.10...	CH. I PAGE 65
ADL.10.6...	CH. I PAGE 66
A.88...	CH. IV PAGE 33

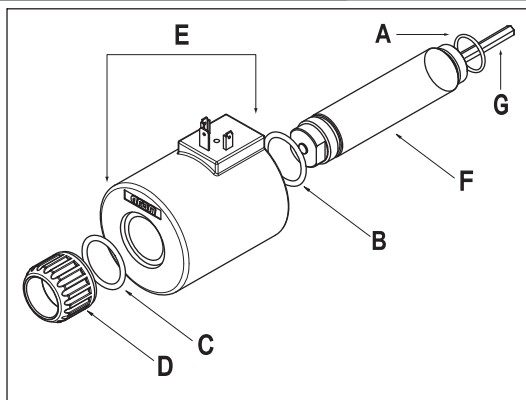
VOLTAGE (V)	MAX WINDING TEMPERATURE (AMBIENT TEMPERATURE 25°C)	RATED POWER (W)	RESISTANCE AT 20°C (OHM) ±7%
12V	106°C	45	3.2
24V	113°C	45	12.4
48V*	-	45	-
102V*(**)	-	45	-
110V*(**)	118°C	45	268
205V*(**)	-	45	-

** The european low voltage directive is applied to electrical equipments used at a nominal voltages between 50 and 1000 VAC or 75 and 1500 VDC. In conformity with the low directive each part of the manifold or the subplate on which the valve is mounted should be connected to a protective earth with a resistance less than 0.1 ohms.

* Special voltages



SPARE PARTS



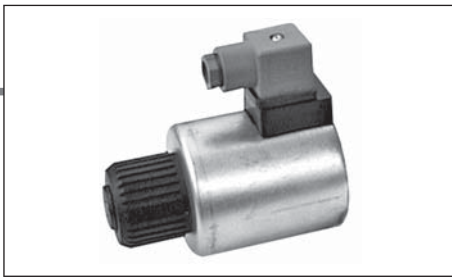
E = SEE A16 COIL TABLE
A/B/C/D/F/G = SINGLE SPARE PARTS (SEE CODES TABLE)

A16 DC/45W COIL	CONNECTION
VOLTAGE	HIRSCHMANN (STANDARD)
12V (L)	M14220002
24V (M)	M14220004
48V* (N)	M14220006
102V* (Z)	M14220013
110V* (P)	M14220008
205V* (X)	M14220014
(*)SPECIAL VOLTAGES	
ETA16-CODE - 00/2007/e	

COMPLETE KIT	AD5E	CDL10	ADL10	A88
P2 ROTARY EMERGENCY	V89990011			-
ES MANUAL EMERGENCY	M19050002			-

CODE SPARE PARTS	A	B	C	D	E	F	G	MOUNTING AVAILABLE
	O RING			RING NUT	COIL	TUBE	HEX. PUSHROD	
AD5E ADL/CDL10	Q25830026	Q25860040	Q25860040	M37050033	SEE A16	M83160001	M74440002	C - E - F - M G - H - I - L D
							M74440003	
A88							M74440004	
							M74440006	-

"D19" DC SOLENOIDS



Type of protection (in relation to the connector used)	IP 66
Number of cycle	18.000/h
Supply tolerance	±10%
Ambient temperature	-54°C ÷ 60°C
Duty cycle	100% ED
Max static pressure	210 bar
Insulation class wire	H
Weight	1,63 Kg

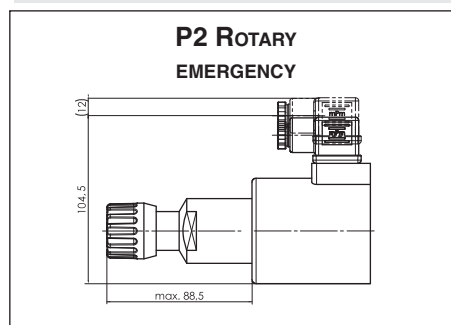
MOUNTING COMPATIBILITY

ADP.5.E...	CH. I PAGE 36
ADP.5.V...	CH. I PAGE 39

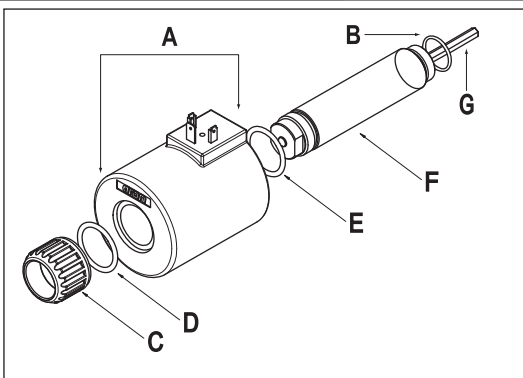
VOLTAGE (V)	MAX WINDING TEMPERATURE (AMBIENT TEMPERATURE 25°C)	RATED POWER (W)	RESISTANCE AT 20°C (OHM) ±10%
12V	105°C	42	3.43
24V	105°C	42	13.71
48V*	105°C	42	55
102V*(**)	105°C	42	248
110V*(**)	105°C	42	288
205V*(**)	105°C	42	1000

* Special voltage

** The european low voltage directive is applied to electronic equipments used at a nominal voltages between 50 and 1000 VAC or 75 and 1500 VDC. In conformity with the low directive each part of the manifold or the subplate on which the valve is mounted should be connected to a protective earth with a resistance less than 0.1 ohms.



SPARE PARTS



A = SEE D19 COIL TABLE
B/C/D/E/F/G = SINGLE SPARE PARTS (SEE CODES TABLE)

D19 DC/42W COIL	CONNECTION
VOLTAGE	HIRSCHMANN (STANDARD)
12V (L)	M14270001
24V (M)	M14270002
48V* (N)	M14270003
102V* (Z)	M14270007
110V* (P)	M14270005
205V* (X)	M14270008
(*)SPECIAL VOLTAGES ETD19-CODE - 00/2007/e	

COMPLETE KIT	ADP5E	ADP5V
P2 ROTARY EMERGENCY	V89990012	

CODE SPARE PARTS B / C / D / E / F / G	FOR ADP5E AND ADP5V
B O RING (TUBE)	Q25830101
C RING NUT	M37050022
D O RING (RING NUT)	Q25830035
E O RING (COIL)	Q25860035
F TUBE	M83170002
G HEX. PUSHROD	M74380002

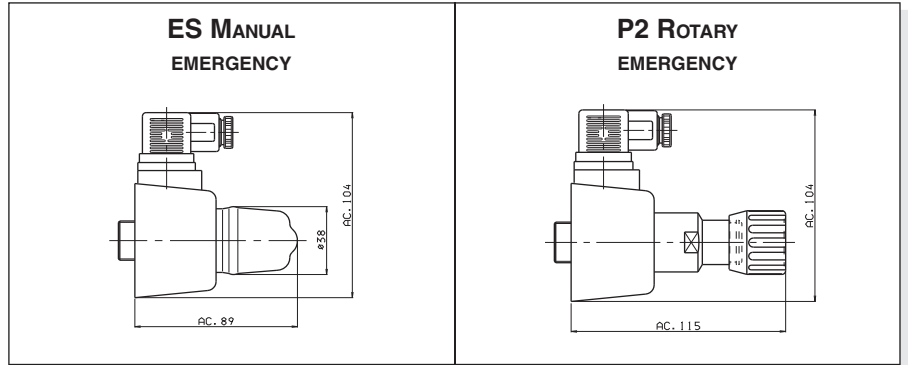
12



"K16" AC SOLENOIDS FOR CETOP 5

Type of protection (in relation to the connector used)	IP 66
Number of cycles	18.000/h
Supply tolerance	+10% / -10%
Ambient temperature	-54°C ÷ 60°C
Duty cycle	100% ED
Max. pressure static	210 bar
Insulation class wire	H
Weight	0,8 Kg

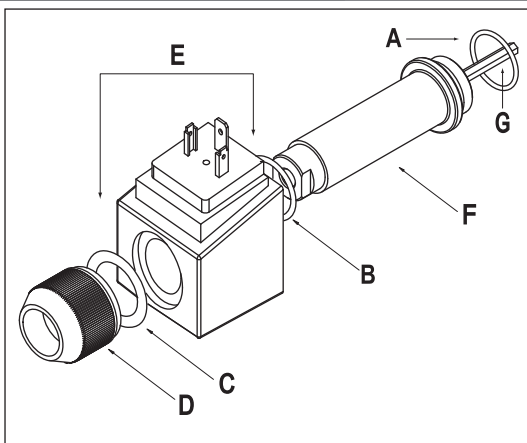
MOUNTING COMPATIBILITY	
CETOP 5	CH. I PAGE 28
AD5.E...	CH. I PAGE 31



VOLTAGE (V)	MAX. WINDING TEMPERATURE (AMBIENT TEMPERATURE 25°C)	RATED POWER (VA)	IN RUSH CURRENT (VA)	RESISTANCE AT 20°C (OHM) ±10%
24V/50Hz	134°C	124	454	0.56
24V/60Hz*	115°C	103.5	440	0.55
48V/50Hz*	134°C	113	453	2.10
115V/50Hz-120V/60Hz*(**)	121°C - 138°C	-	-	10.8
230V/50Hz-240V/60Hz*(**)	121°C - 138°C	-	-	43.0
240V/50Hz*(**)	134°C	120	456	47.39

** The european low voltage directive is applied to electrical equipments used at a nominal voltages between 50 and 1000 VAC or 75 and 1500 VDC. In conformity with the low directive each part of the manifold or the subplate on which the valve is mounted should be connected to a protective earth with a resistance less than 0.1 ohms.

SPARE PARTS



E = SEE K16 COIL TABLE
A/B/C/D/F/G = SINGLE SPARE PARTS (SEE CODES TABLE)

K16 AC COIL	CONNECTION
VOLTAGE	HIRSCHMANN (STANDARD)
24V/50Hz (A)	M14300010
24V/60Hz* (F)	M14300012
48V/50Hz* (B)	M14300014
115V/50Hz (J)	M14300029
120V/60Hz	
230V/50Hz (Y)	M14300027
240V/60Hz	
240V/50Hz* (E)	M14300025
(*)SPECIAL VOLTAGES ETK16-CODE - 00/2007/e	

COMPLETE KIT	AD5E
P2 ROTARY EMERGENCY	V89990002
ES MANUAL EMERGENCY	M19050002

CODE SPARE PARTS	A	B	C	D	E	F	G	MOUNTING AVAILABLE
	O RING			RING NUT	COIL	TUBE	HEX. PUSHROD	
AD5E	Q25830026	Q25860026	Q25830187	M37050005	SEE K16	M83300000	M74210000 M74160000 M74700000	C - E - F G - H - I - L D



"22W" DC COILS

Type of protection (in relation to the connector)	IP 65
Number of cycles	18.000/h
Supply tolerance	+10% / -10%
Ambient temperature	-30°C ÷ 60°C
Duty cycle	100% ED
Insulation class wire	H
Weight	0,2 Kg

MOUNTING COMPATIBILITY

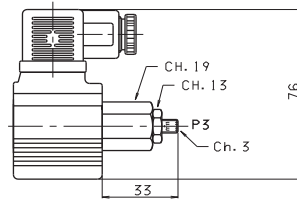
CRP/CRD	BFP CARTRIDGE CAT.
C2V.02...	BFP CARTRIDGE CAT.

VOLTAGE (V)	MAX. WINDING TEMPERATURE (AMBIENT TEMPERATURE 25°C)	RATED POWER (W)	RESISTANCE AT 20°C (OHM) ±10%
12V	116 °C	22	6.3
24V	115 °C	22	25.6
48V*	114 °C	22	102
102V*(**)	-	22	467.85
205V*(**)	-	22	1954

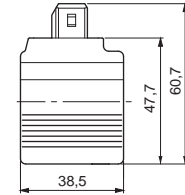
* SPECIAL VOLTAGE

** The european low voltage directive is applied to electrical equipments used at a nominal voltages between 50 and 1000 VAC or 75 and 1500 VDC. In conformity with the low directive each part of the manifold or the subplate on which the valve is mounted should be connected to a protective earth with a resistance less than 0.1 ohms.

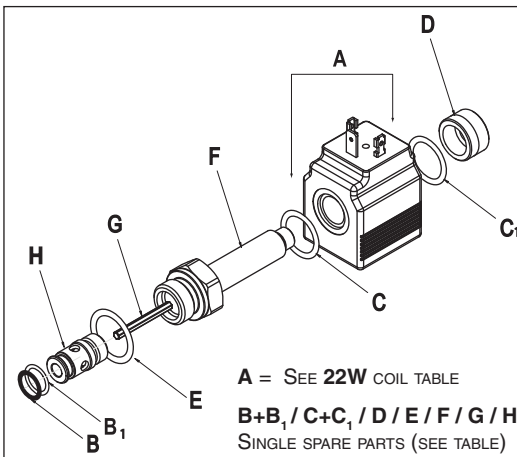
PS ROTARY EMERGENCY



AMP JUNIOR (AJ)



SPARE PARTS



22W DC COIL	CONNECTIONS	
VOLTAGE	STANDARD	AMP JUNIOR (AJ)
12V (L)	M14040001	M14730001
24V (M)	M14040002	M14730002
48V* (N)	M14040003	—
102V* (Z)	M14040006	—
205V* (X)	M14040007	—
(*) SPECIAL VOLTAGES	ET20W-CODE - 01/2008/e	

COMPLETE KIT	CRP02NA	CRD01/02	CRP02NC	C2V02	C3V02
PS ROTARY EMERGENCY	V89990014	V89990005		-	

CODE SPARE PARTS CRP/CRD	B PARBAK	B ₁ O RING	C + C ₁ O RING (R. NUT/COIL)	D RING NUT	E + F TUBE (+ O RING TUBE)	G HEX. PUSHROD	H VALVE SEAT
CRP02NC...E	Q25780026	Q25830015	Q25860055	M37050026	R83100B83	M86150006	M70150003
CRP02NC...S					R83100B82	M86150004	
CRP02NA...E					R83100B84	M86150004	
CRD01...A	Q25780026	Q25830015			R83100B85	M74440000	M70150004
CRD01...B	Q25780030	Q25830021					M70150005
CRD02...A	Q25780026	Q25830015				M74440001	M70150004
CRD02...B	Q25780030	Q25830021					M70150005

CODE SPARE PARTS C2V/C3V02	B PARBAK	B ₁ O RING	C + C ₁ O RING (R. NUT/COIL)	D RING NUT	E O RING (TUBE)	F TUBE	G HEX. PUSHROD	H VALVE SEAT
C2V02NC...	Q25780026	Q25830015	Q25860055	M37050026	Q25861010	M83040005	M50070002	M70400002
C2V02NA...							M50070003	
C3V02...	—	Q25880036 Q25880045					M50070001	M70400001

"30W" DC COILS



Type of protection (in relation to the connector used)	IP 65
Number of cycles	18.000/h
Supply tolerance	+10% / -10%
Ambient temperature	-54°C ÷ 60°C
Duty cycle	100% ED
Insulation class wire	H
Weight	0,2 Kg

MOUNTING COMPATIBILITY	
CRD.04...	BFP CARTRIDGE CAT.

VOLTAGE (V)	MAX. WINDING TEMPERATURE (AMBIENT TEMPERATURE 25°C)	RATED POWER (W)	RESISTANCE AT 20°C (OHM) ±10%
12V	108°C	30	4.7
24V	108°C	30	18.8

IT30W - 02/1999/i

ES MANUAL EMERGENCY

FLUSSO	FORZA AZIONAMENTO
2 → 1	10N
1 → 2	10+ (2,5 x P) N

P = PRESSIONE DI UTILIZZO (BAR)

P2 ROTARY EMERGENCY

SPARE PARTS

A = SEE 30W COIL TABLE
B+B₁+B₂ / C / D / E+E₁ / F / G / H = SINGLE SPARE PARTS (SEE TABLE)

30W DC COIL	
12V	24V
M14100010 (L)	M14100011 (M)
ET20W-CODE - 00/2007/e	

COMPLETE KIT	CDL04
P2 ROTARY EMERGENCY	V89990007
ES MANUAL EMERGENCY	M19050001

VERS. A	B	B ₁	B ₂	C	D	E	E ₁	F	G	H
	PARBAK	O RING	O RING	O RING (TUBO)	RING NUT	O RING (COIL)	O RING (RING NUT)	TUBE	HEX. PUSHROD	VALVE SEAT
	Q25780026	Q25830015	Q25831017	Q25861010	M37050004	Q25830026	Q25830183	R83200997	M74360000	M70150004
VERS. B	Q25780030	Q25830021								M70150005

UL RECOGNIZED COMPONENT MARK COILS



22 W COIL



27 W COIL

UL RECOGNIZED COMPONENT MARK



The UL Recognized Component Mark may be used on component parts that are part of a larger product or system. The UL Mark is the most widely recognised and accepted evidence of product's compliance with Canadian and USA safety requirements.

UL CATEGORY CODE (CCN)

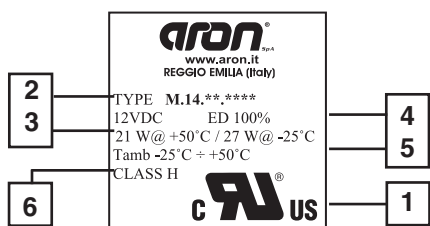

- U.S.A. **YSY12**
 - Canada **YSY18**

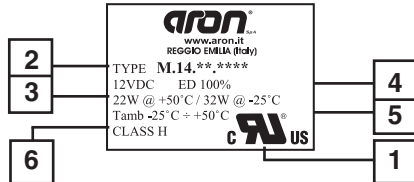

UL category code number (CCN) is assigned in order to identify which product categories are covered by UL's Certification. Our category covers valve parts, such as solenoid operators, coil assemblies, coil enclosures, valve assemblies and similar items intended to be used as parts of electrically operated valves as indicated in the individual Recognitions.

ARON UL FILE NUMBER **MH45162**

Visiting the UL web site (www.ul.com), linking *certifications* and writing the correct Aron UL File Number you can find our Certification.

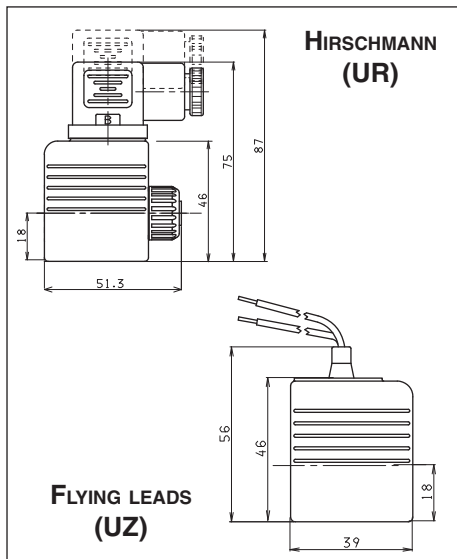
The UL File Number is an alphanumeric designation assigned to any Company upon successful completion of a product evaluation or company certification.

"22 W" DC COILS	
IDENTIFICATION MARK	
	
1	 Recognized Component Mark
2	Type Coil code, voltage and connector type M.14.04.0021 12 VDC (Hirschmann) M.14.04.0022 24 VDC (Hirschmann) M.14.04.0031 12 VDC (With flying leads) M.14.04.0032 24 VDC (With flying leads)
3	21W@+ 50°C Power at +50°C (ambient temperature) for 12 and 24V coils 27W@- 25°C Power at -25°C (ambient temperature) for 12 and 24V coils
4	ED 100% Duty cycle
5	Tamb -25°C ÷ +50°C Ambient operating temperature
6	Class H Insulation class wire

"27W" DC COILS	
IDENTIFICATION MARK	
	
1	 Recognized Component Mark
2	Type Coil code, voltage and connector type M.14.31.0011 12 VDC (Hirschmann) M.14.31.0012 24 VDC (Hirschmann) M.14.07.0021 12 VDC (With flying leads) M.14.07.0022 24 VDC (With flying leads)
3	22W@+ 50°C Power at +50°C (ambient temperature) for 12V coils 27W@+ 50°C Power at +50°C (ambient temperature) for 24V coils 32W@- 25°C Power at -25°C (ambient temperature) for 12 and 24V coils
4	ED 100% Duty cycle
5	Tamb -25°C ÷ +50°C Ambient operating temperature
6	Class H Insulation class wire

12

"22W" DC COILS - UL RECOGNIZED



Type of protection (in relation to connector used)	IP 65
Number of cycle	18.000/h
Supply tolerance	-15% / +10%
Ambient temperature	-25°C ÷ 50°C
Power at +50°C (ambient temperature) for 12 and 24V coils	21W
Power at -25°C (ambient temperature) for 12 and 24V coils	27W
Duty cycle	100% ED
Insulation class wire	H
Weight	0,215 Kg

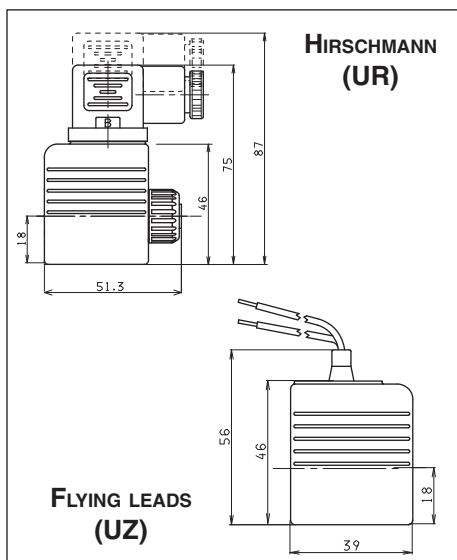
VOLTAGE (V)	MAX WINDING TEMPERATURE (AMBIENT TEMPERATURE 25°C)	RATED POWER (W)	RESISTANCE AT 20°C (OHM) ±10%
12V	116°C	22	6.30
24V	116°C	22	25.60

ETUL22W - 00/2007/e

VARIANT AND VOLTAGE CODES (WICH HAVE TO PUT IN THE ORDERING CODE VALVE)

"22W" MOUNTING COMPATIBILITY	CRP, CRD, C2V02 and C3V02 see Ch. V "Cartridge valves"
VARIANT CODE	UR = Hirschmann connection UZ = Solenoid with flying leads (500 mm) Other variants relate to a special design
VOLTAGE CODE	L = 12 VDC M = 24 VDC Voltage code is always stamped over on the coil

"27W" DC COILS - UL RECOGNIZED



Type of protection (in relation to connector used)	IP 65
Number of cycle	18.000/h
Supply tolerance	-15% / +10%
Ambient temperature	-25°C ÷ 50°C
Power at +50°C (ambient temperature) for 12V coil	22W
Power at +50°C (ambient temperature) for 24V coil	27W
Power at -25°C (ambient temperature) for 12 and 24V coils	32W
Duty cycle	100% ED
Insulation class wire	H
Weight	0,215 Kg

VOLTAGE (V)	MAX WINDING TEMPERATURE (AMBIENT TEMPERATURE 25°C)	RATED POWER (W)	RESISTANCE AT 20°C (OHM) ±7%
12V	123°C	27	5.30
24V	123°C	27	21.30

ET27WUL - 00/2007/e

VARIANT AND VOLTAGE CODES (WICH HAVE TO PUT IN THE ORDERING CODE VALVE)

"27W" MOUNTING COMPATIBILITY	AD2E... ADC3E.. and CDL04... see Ch. I "Directional control" C3V03... see Ch. V "Cartridge valves" CDC3... see Ch. XI "Stackable valves"
VARIANT CODE	UR = Hirschmann connection UZ = Solenoid with flying leads (250 mm) Other variants relate to a special design
VOLTAGE CODE	L = 12 VDC M = 24 VDC Voltage code is always stamped over on the coil

