

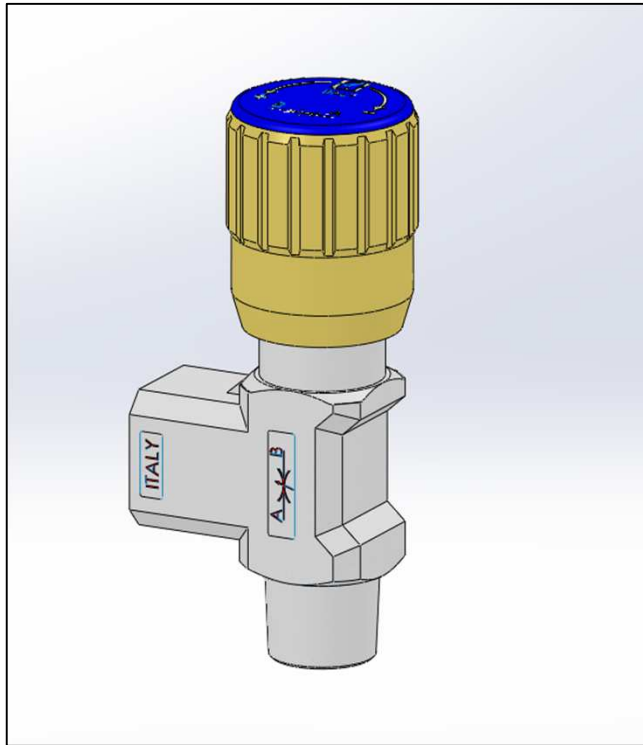


# F.LLI TOGNELLA S.P.A.

PNEUMATIC AND HYDRAULIC COMPONENTS

## DOUBLE-ACTING FLOW CONTROL VALVE FT 252/2-02

### 90° DOUBLE-ACTING FLOW RATE CONTROL VALVE



### Characteristics

TYPE	FLOW SECTION	WORKING PRESSURE	BURSTING PRESSURE	WORKING TEMPERATURE	FILTRATION
14	12.57 mm <sup>2</sup>	350 bar	1600 bar	-20/+100°C	25 Microns
38	19.64 mm <sup>2</sup>	350 bar	1600 bar	-20/+100°C	25 Microns
12	50.27 mm <sup>2</sup>	350 bar	1600 bar	-20/+100°C	25 Microns

### Description

Double-acting flow rate control valve. Its realization allows a precise mettalic sealing, linearity of flow in the port, accurate check for a large flow rate range, suitable for panel mounting by a proper nut furnished on request.

*The contents of this brochure are presented only for illustrative purpose, they do not constitute warranty for the products showed, as well as for their use and application. F.LLI TOGNELLA S.p.A. reserves the right of changing the specifics of these items anytime and without notice*



# F.LLI TOGNETTA S.P.A.

## PNEUMATIC AND HYDRAULIC COMPONENTS

### ORDER CODES

<b>FT</b>	<b>252/</b>	<b>2-</b>	<b>02-</b>	<b>14</b>	<b>-V</b>	<b>-MP</b> - To omit for standard handwheel - MP -Plastic handwheel
Valve type						
Flow rate						Gasket type - To omit for NBR - V - Seal FPM
Function				Size		
<b>Double-acting</b>				<b>14-38-12</b>		
Connection						
<b>01 - Female - Female</b>						
<b>02 - Male - Female</b>						

### TECHNICAL DATA

Flow rate and pressure drop depending on handwheel turns	See graphics	
Assembly position	In line or panel mounting	
Max. working pressure	<b>bar</b>	350
Recommended viscosity	<b>cSt</b>	10-220
Fluid temperature	<b>°C</b>	.-20 / + 100
Handwheel handling at max. pressure	<b>N/m</b>	5
Fluid contamination class	ISO 19/16 - filters 25 µm e β25 ≥ 75 ( recommended )	
Seals	Standard NBR - On request FPM	
<b>Materials</b>		
Body valve	Steel 9 S Mn Pb 23 - UNI 10233-4	
Needle regulation group	Steel X10CrNiS1809 - UNI EN 10088	
Regulation handwheel	Stainless steel GD AISi 12 or Plastic	
Surface protection	White galvanization	

head office: 21019 somma lombardo (va) via goito, 60 tel. 0331.988.411 telefax 0331.988.499 corporate capital € 1.000.000

rea varese n.70107 VAT number 00185410123 iscriz. busto a. n. 12870

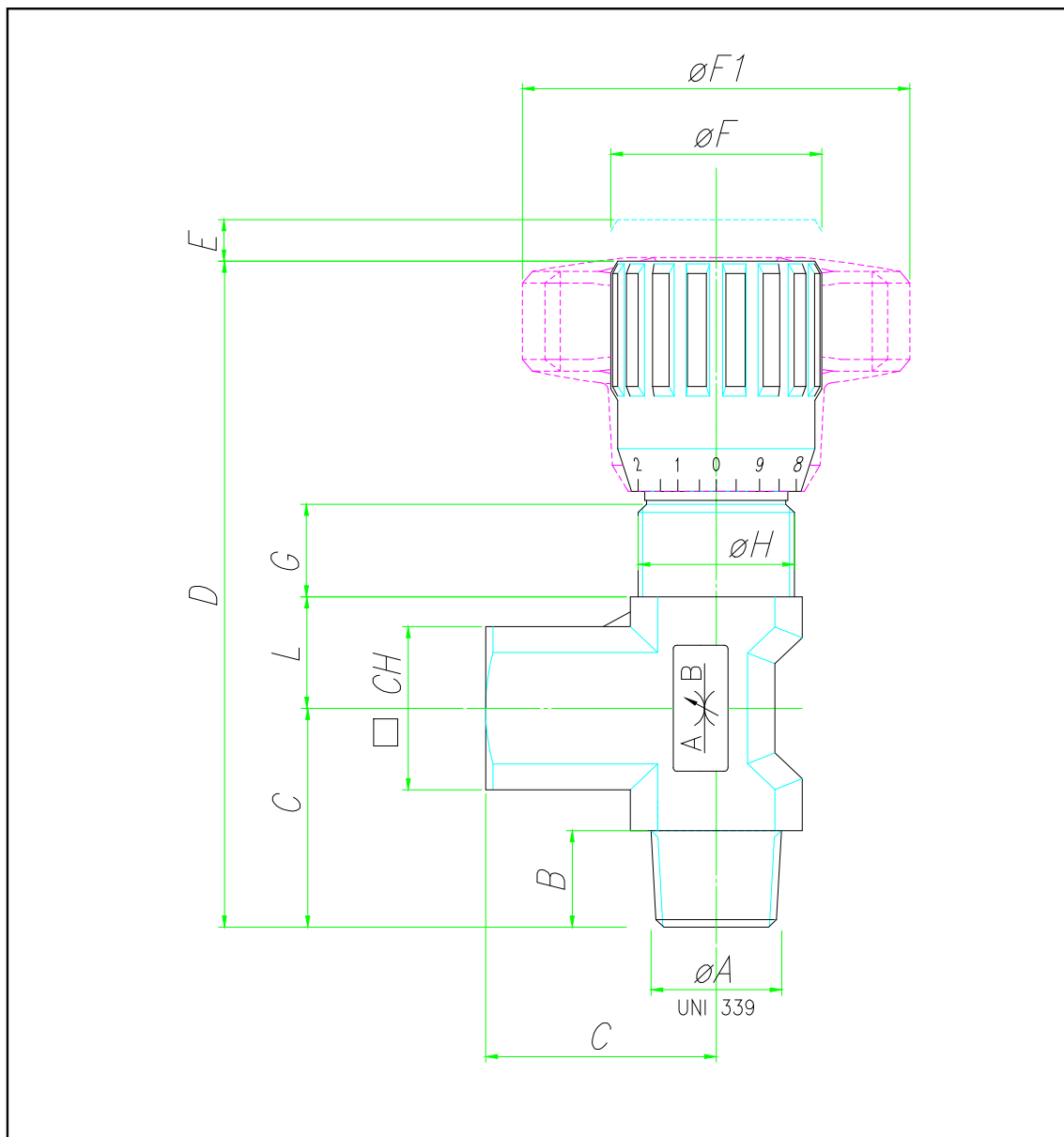
e-mail : [tognella@tognella.it](mailto:tognella@tognella.it) · [www.tognella.it](http://www.tognella.it)



# F.LLI TOGNELLA S.P.A.

## PNEUMATIC AND HYDRAULIC COMPONENTS

### 90° DOUBLE-ACTING FLOW RATE CONTROL VALVE



	$\phi A$	B	C	D	E	$\phi F$	$\phi F1$	G	$\phi H$	L	CH	KG
14	1/4"G	12	25	74,5	4,5	22	40	12	M17 x 1	11	18	0,125
38	3/8"G	13	29,5	88	7	27	50	11,5	M20 x 1	15	22	0,228
12	1/2"G	16	36	105	10	33	70	13	M25 x 1,5	19	27	0,418

head office: 21019 somma lombardo (va) via goito, 60 tel. 0331.988.411 telefax 0331.988.499 corporate capital € 1.000.000

rea varese n.70107 VAT number 00185410123 iscriz. busto a. n. 12870

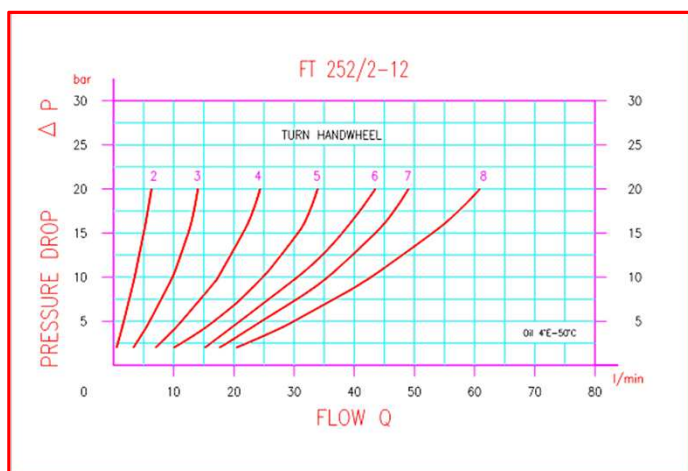
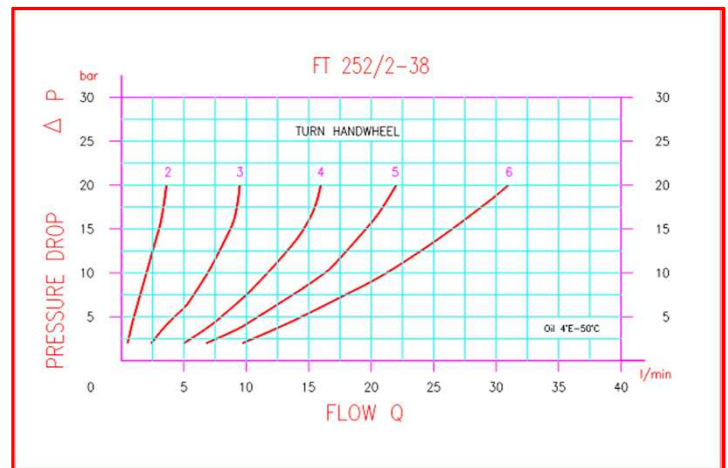
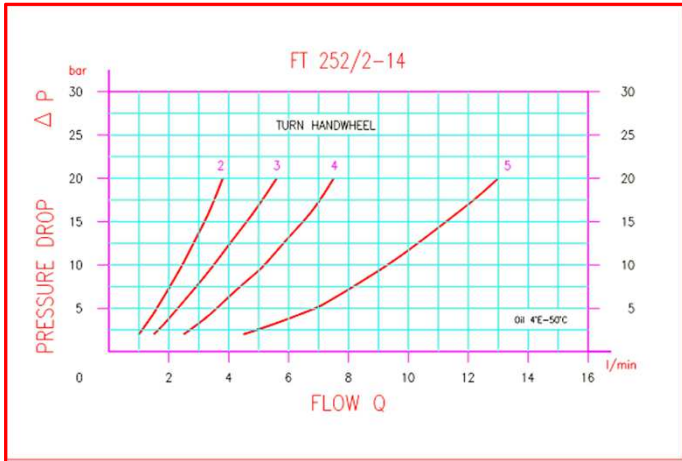
e-mail : [tognella@tognella.it](mailto:tognella@tognella.it) • [www.tognella.it](http://www.tognella.it)



# F.LLI TOGNELLA S.P.A.

## PNEUMATIC AND HYDRAULIC COMPONENTS

### GRAPHICS



head office: 21019 somma lombardo (va) via goito, 60 tel. 0331.988.411 telefax 0331.988.499 corporate capital € 1.000.000  
rea varese n.70107 VAT number 00185410123 iscriz. busto a. n. 12870  
e-mail : [tognella@tognella.it](mailto:tognella@tognella.it) • [www.tognella.it](http://www.tognella.it)