

FT2243/2



DOUBLE-ACTING BREAKING VALVES

They are composed of a needle throttling which allows a very sensitive control. They can be used for assembling in manifolds and integrated blocks and are also used as cylinder braking valves.

Recommended filtration: 60 micron or inferior.

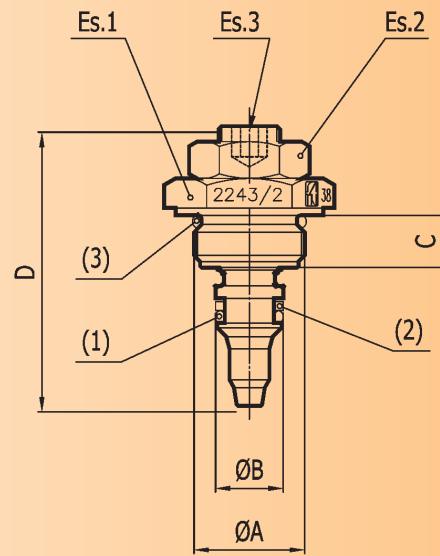
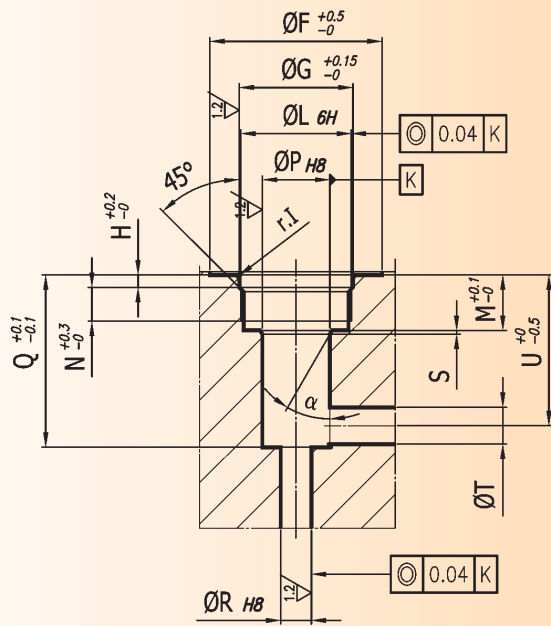
Max. working pressure: 300 bar



materials

Body	AISI 316 stainless steel
Needle	X 10CrNiS1809 - UNI 6900
OR	Viton
Nut	AISI 316
BK	PTFE

Seating valve



dimensions seating valve

Tipo	H	ØL	M	N	ØP	Q	ØR	S	ØT	U	r.l	α°
14	2	M17x1	9	5.5	10	28	4	0.6	4.5	25	0.3	30°
38	2	M18x1	9	5	11	28	5	0.6	6	24.5	0.3	30°
12	2.5	M22x1.5	15	10	14	40.5	8	1	8	36	0.3	20°
34	3.5	M27x1.5	21	15	18	54.5	10	1.5	10	48.5	0.5	20°

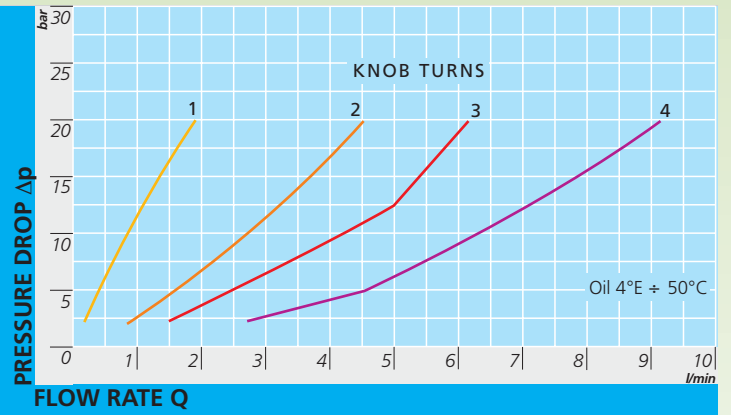
dimensions valves

Tipo	ØA	ØB	C	D	Es.1	Es.2	Es.3	(1) OR	(2) BK	(3) OR	ØF	ØG
14	M17x1	10	8.5	44.5	22	17	4	106	106	2056	26	17.5
38	M18x1	11	8.5	45.5	24	17	5	2031	2031	2062	28	18.5
12	M22x1.5	14	13.5	66.5	27	19	7	2043	2043	2075	33	22.5
34	M27x1.5	18	18	82	32	22	9	2056	2056	3093	35	28

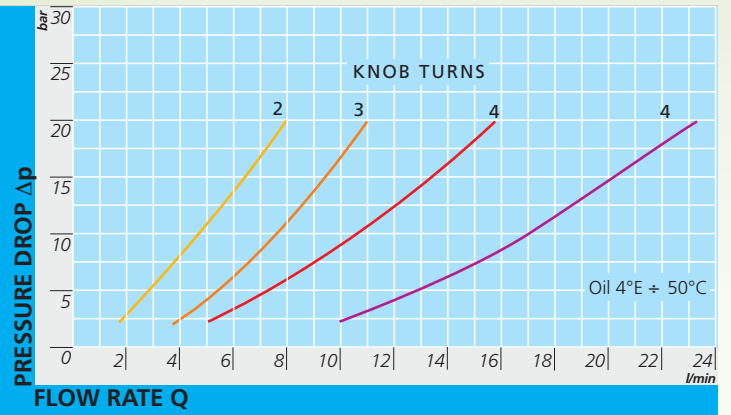
flowrate



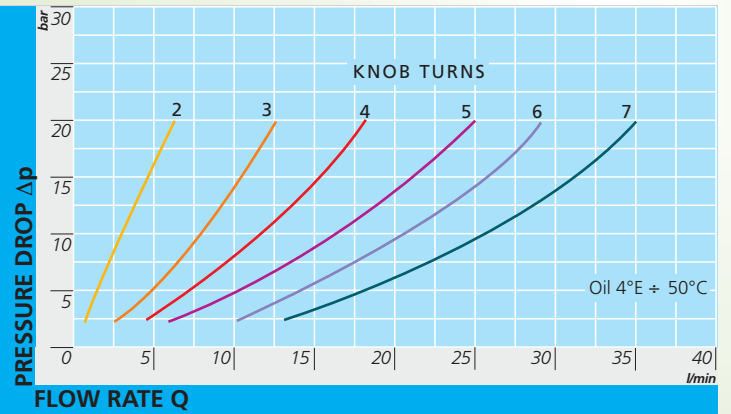
FT 2243/2 - 14



FT 2243/2 - 38



FT 2243/2 - 12



FT 2243/2 - 34

