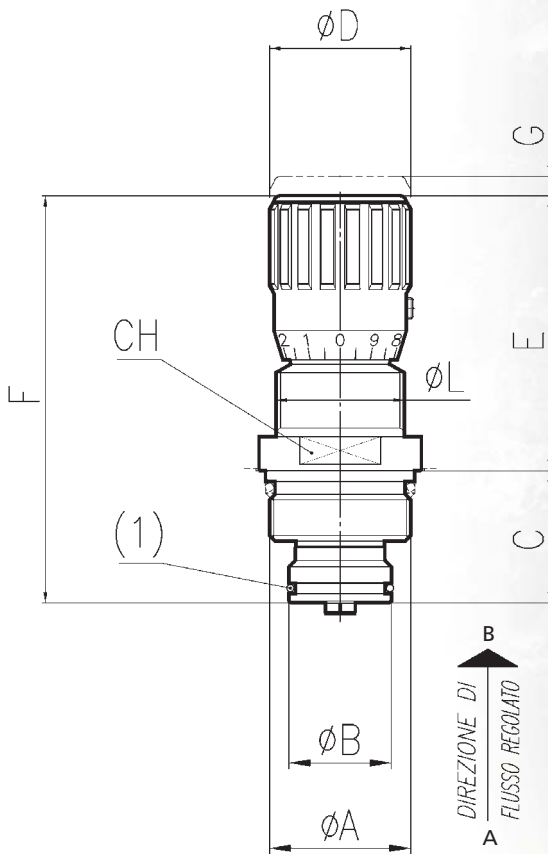



**MATERIALS**

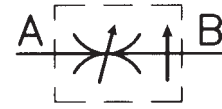
BODY BASE	9 S MN PB 23 - UNI 5105
COMPENSATION UNIT	38 NI CR MO 4
OR	NITRILE
ANTIEXTRUSION RING	PTFE
NOB	GD AL SI 12 - UNI 5706

**EXAMPLE FOR ORDERING**

	CODE	TYPE	VITON SEAL
STEEL	FT 297/2	14	V


**DIMENSIONS**

TYPE	ØA UNI 4534	ØB	C	ØD	E	F	G	ØL	CH	(1) OR	WEIGHT KG
14	M33x1,5	24	31	33	64,5	95,5	4,5	M30x1,5	32	2081	0,350



## CARTRIDGE MOUNTED PRESSURE COMPENSATED MICROFINE FLOW CONTROL VALVES

Pressure compensated flow control valves, to insert in modular units in line. They are essentially composed of a central body which may be screwed in units preset by the user.

The construction and functional characteristics reflect exactly those of valves series FT 287.

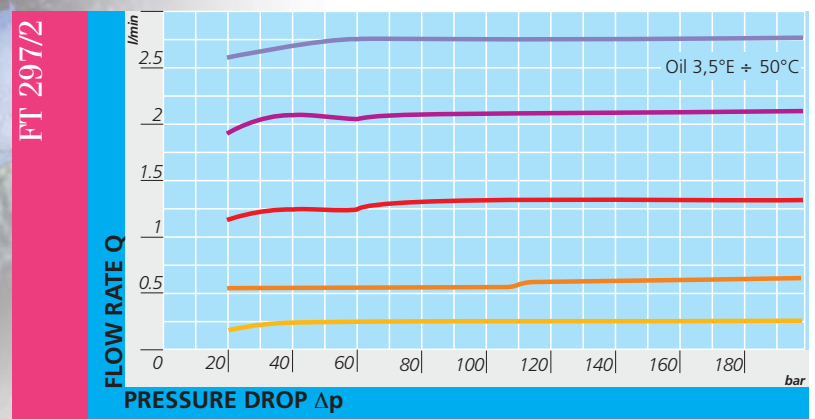
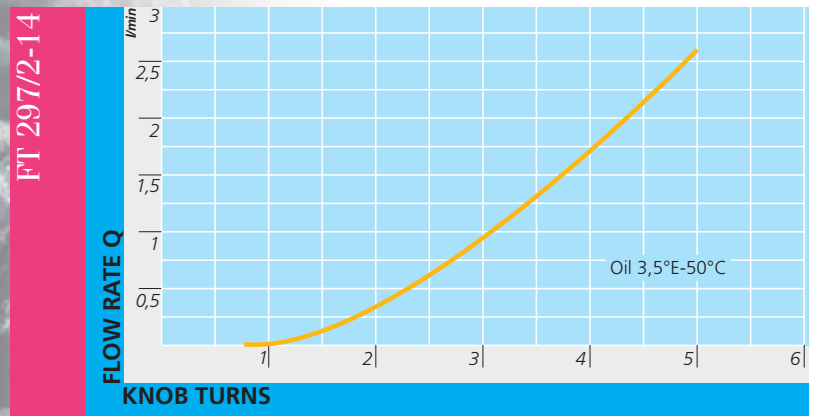
It is recommended to keep them in their protective wrapping until the mounting, in order to avoid possible drawbacks caused by eventual entry of particles into the delicate and essential parts for a good working.

### On request

- Viton seals (V)
- Knob in ABS (mp)



# FT 297/2

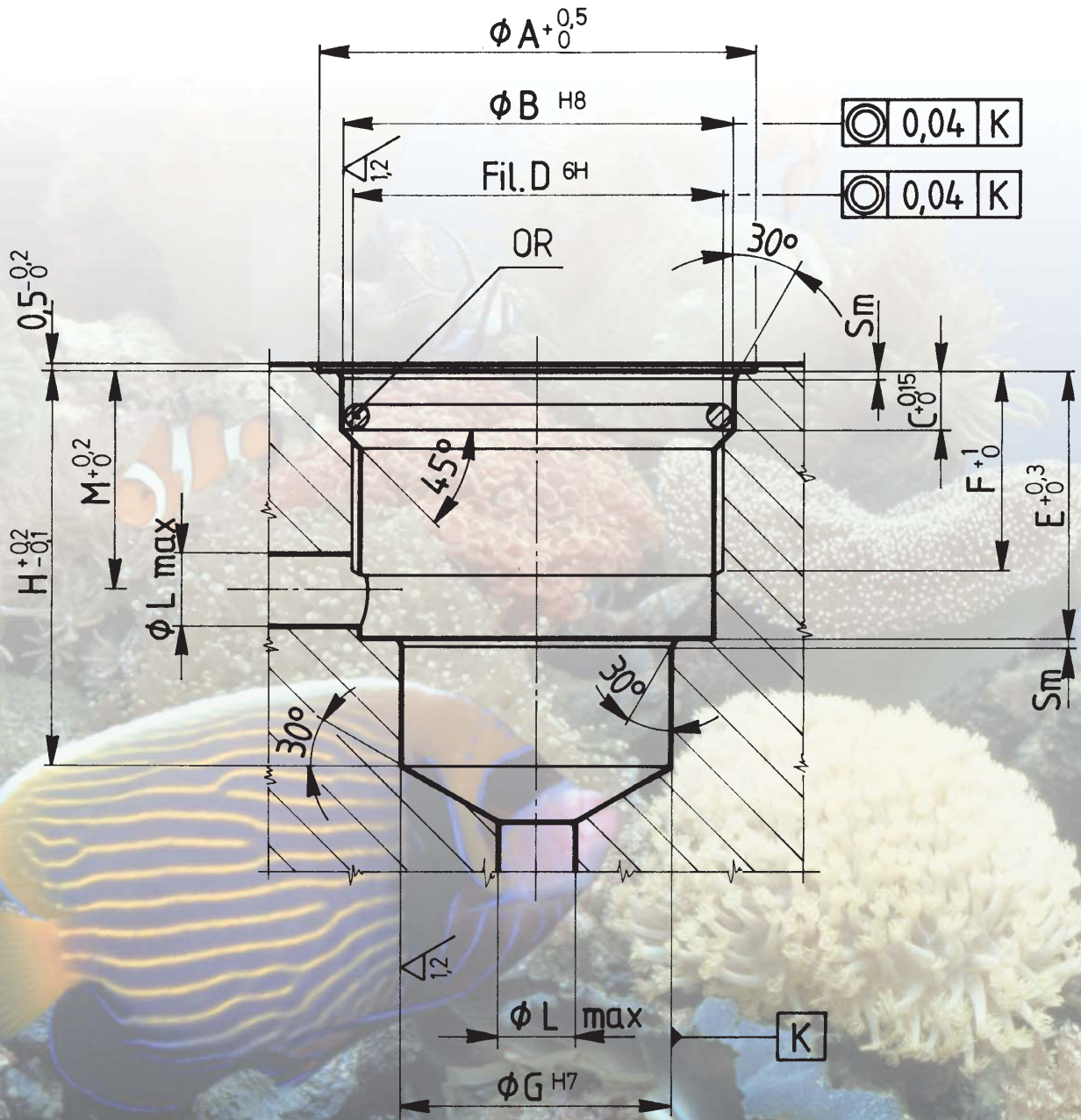


## TECHNICAL DATA

TYPE	MAX. WORKING PRESSURE BAR	MIN. BURSTING PRESSURE BAR	WORKING TEMPERATURE °C	FILTRATION GRADE μM ABSOLUTE
1 4	320	7,5	-20°/+70°	25



Sealing realized  
with OR seals  
on conical  
seating



# DRAWING OF CAVITY MACHINE FOR CARTRIDGE MOUNTED VALVES



FT 287/2 - FT 297/2



TYPE	ØA	ØB	C	D UNI4535	E	F	ØG	H	ØL	M	ØR	SM
14	39	35	5,2	M33x1,5	24	18	24	35,2	6,5	20	3118	0,8
38	44	40,5	5,2	M39x1,5	27,5	19	30	40	9	22,5	3143	0,8
12	53	49	6,5	M48x2	33,5	23,5	35	49	11	27,5	3175	0,8
34	63	58	7	M55x2	40	27	40	57	13,5	32,5	155	1